

Assembly Instructions

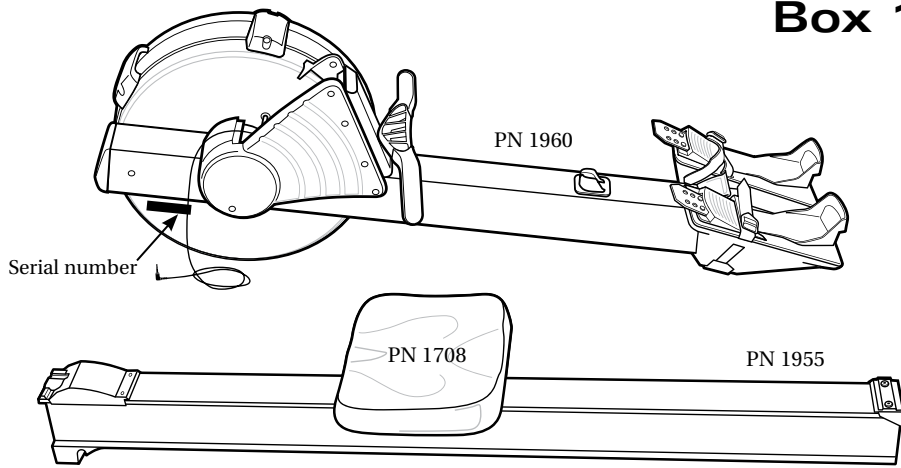
MODEL E

0412rev0613

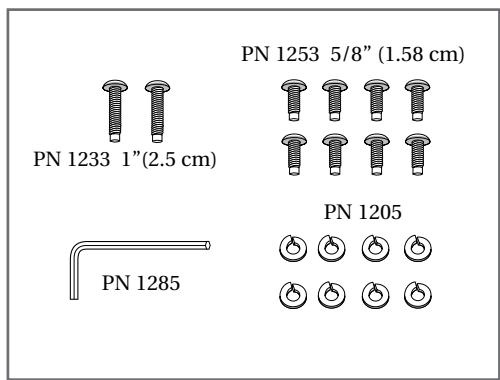
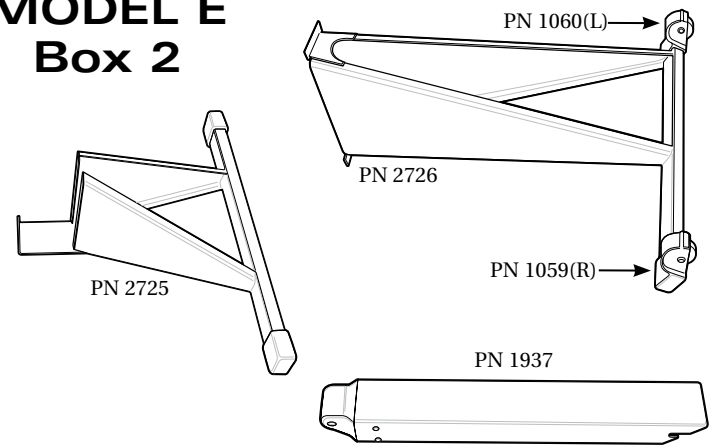
IMPORTANT NOTE:

Use these instructions for **MODEL E** assembly.

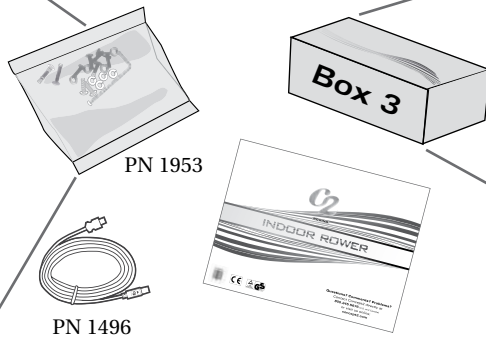
MODEL E Box 1



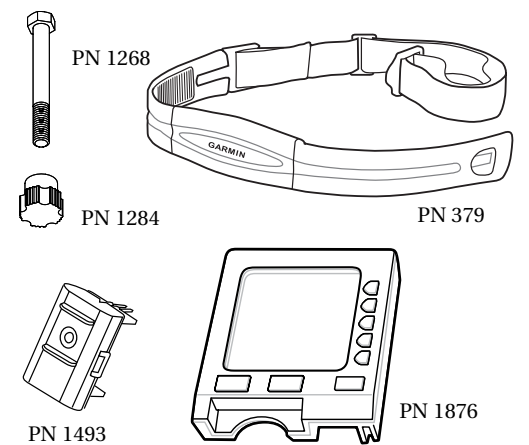
MODEL E Box 2



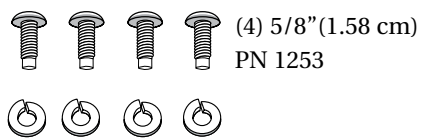
PN 296 - Chain Oil
Located in foam packaging



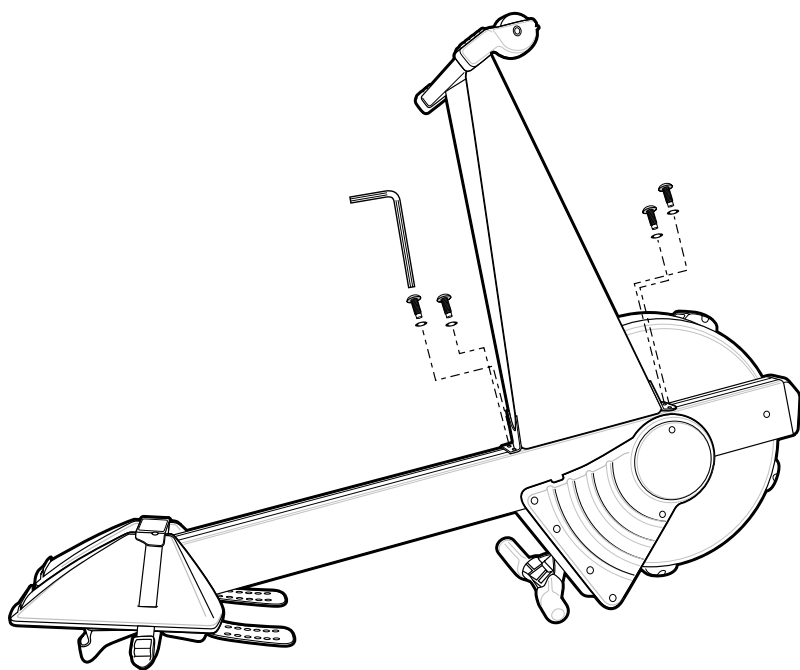
MODEL E Box 3



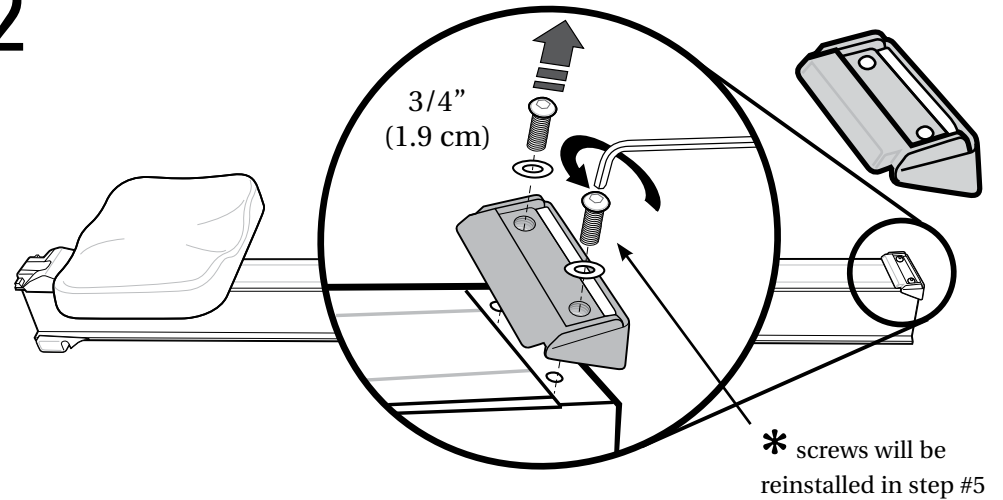
1



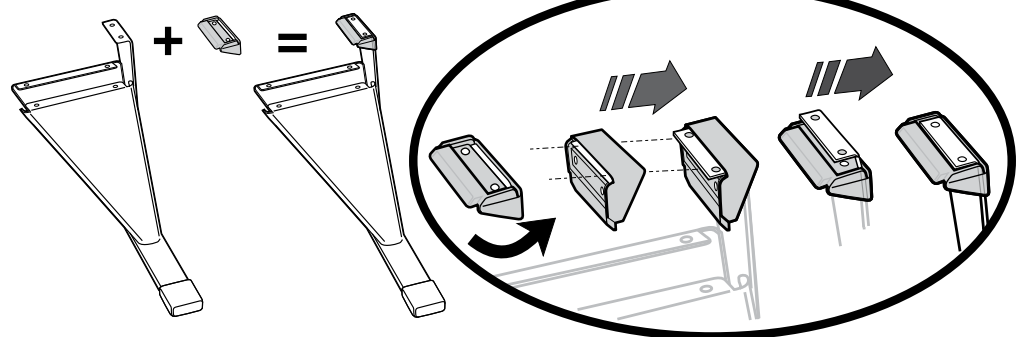
Assembly Tip
Finger tighten each screw in place before tightening fully.



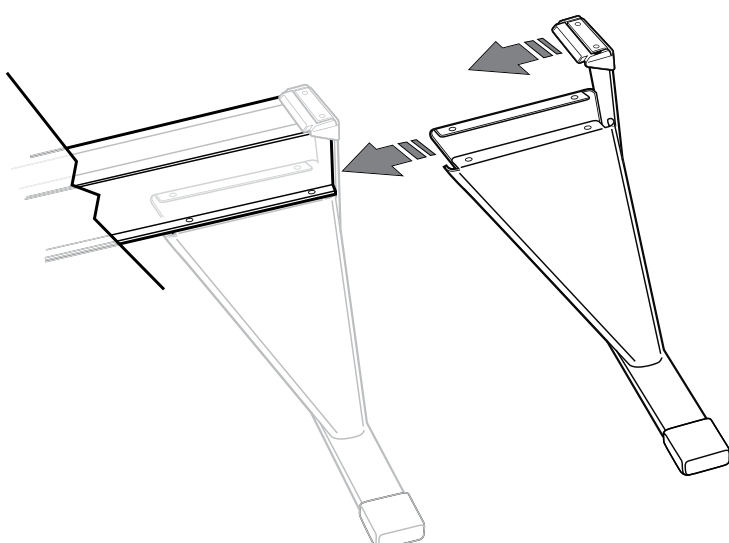
2



3

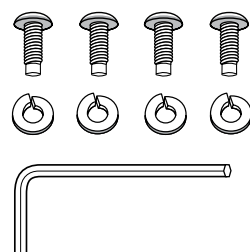


4



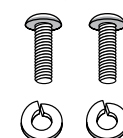
5

(4) 5/8" (1.58 cm) PN 1253



from step #2

(2) 3/4" (1.9 cm) PN 1248



Assembly Tip
Finger tighten each screw in place before tightening fully.

